



## 50-inch Class FULL HD LED Display TH-50LFE7U

### Product specification (design and specification subject to change without notice)

#### ■ DISPLAY PANEL

|                                       |                               |
|---------------------------------------|-------------------------------|
| Screen Size (Diagonal)                | 50.0-inch (1270 mm)           |
| Panel type                            | VA / E-LED                    |
| Aspect ratio                          | 16:9                          |
| Effective Display Area (W x H)        | 43.2" x 24.3" (1096 x 616 mm) |
| Number of Pixels (H x V)              | 1920 x 1080 pixels            |
| Brightness                            | 350 cd/m <sup>2</sup> (Typ)   |
| Contrast Ratio                        | 5000:1                        |
| Response Time                         | 9.5 ms (G to G)               |
| Viewing Angle (Horizontal / Vertical) | 176° / 176°                   |
| Panel Life Time                       | approx. 50000 hours*          |
| Panel Surface Treatment               | Anti-glare treatment          |

\* An approximate time until the panel brightness decreases to half of its original value.

#### ■ CONNECTION TERMINAL

|                |  |  |
|----------------|--|--|
| HDMI IN        | HDMI TYPE A Connector x 2                        |  |
| DVI-D IN       | DVI-D 24pin x 1                                  | Compliance with DVI Revision 1.0<br>Compatible with HDCP 1.1   |
| AUDIO IN (L/R) | Stereo mini jack (M3) x 1 (Shared with PC IN)    | 0.5 V rms  |
| PC IN          | Mini D-sub 15pin x 1 (Female)                    | G : with sync 1.0 Vp-p (75Ω)<br>: without sync 0.7 Vp-p (75Ω)<br>B : 0.7 Vp-p (75Ω)<br>R : 0.7 Vp-p (75Ω)<br>HD/VD : 1.0 - 5.0 Vp-p (high impedance) |
| AUDIO IN (L/R) | Stereo mini jack (M3) x 1 (Shared with DVI-D IN) | 0.5 V rms  |
| 5V CHARGE OUT  | 5 V 500 mA (Max)                                 |  |

#### ■ CONTROL

|                 |   |
|-----------------|---|
| SERIAL IN / OUT | D-sub 9pin x 1, RS-232C Compatible                    |
| LAN             | RJ45 x 1 10BASE-T / 100BASE-TX, Compatible with PLink |
| IR IN / OUT     | Stereo mini jack (M3) x 1 / x 1                       |

#### ■ AUDIO

|                  |                              |
|------------------|------------------------------|
| AUDIO OUT        | Stereo mini jack (M3) x 1    |
| Built in Speaker | 20 W [10 W + 10 W] (10% THD) |

#### ■ ELECTRICAL

|                     |                           |
|---------------------|---------------------------|
| Power Requirements  | 110 - 127 V AC, 50/60 Hz. |
| Power Consumption   | 95 W                      |
| Power Off Condition | 0.4 W                     |
| Stand-by Condition  | 0.5 W                     |

#### ■ MECHANICAL

|                               |  |
|-------------------------------|--|
| Dimensions (W x H x D)        | 44.4" x 25.7" x 2.1" (1126 x 652 x 53 mm)  |
| Bezel Width                   | 0.5" (11.9 mm) (L/R/T), 0.7" (17.7 mm) (B)   |
| Carton Dimensions (W x H x D) | 57.6" x 29.5" x 5.1" (1463 x 749 x 129 mm)   |
| Weight                        | approx. 32.0 lbs (14.5 kg)   |
| Gross Weight                  | approx. 41.9 lbs (19 kg)   |
| Cabinet Material / Color      | Front, Rear : Plastic / Black  |
| Pitch for Wall-Hanging        | VESA Compliant 15.8" x 7.9" (400 x 200 mm) (Installed by: M6 screws / Screw hole depth 1.1" [28 mm]) |

#### ■ ENVIRONMENTAL

|                       |             |                                  |
|-----------------------|-------------|----------------------------------|
| Operating Environment | Temperature | : 32°F to 104°F (0°C to 40°C)    |
|                       | Humidity    | : 20% to 80% (Non condensation)  |
| Storage Environment   | Temperature | : -4°F to 140°F (-20°C to 60 °C) |
|                       | Humidity    | : 20% to 80% (Non condensation)  |

#### ■ STANDARD (CERTIFICATIONS)

|                       |                                   |
|-----------------------|-----------------------------------|
| SAFETY REGULATIONS    | UL60065, CAN / CSA-22.2No60065:03 |
| RADIATION REGULATIONS | FCC Part 15 Class-B, ICES-003     |

#### ■ REMOTE CONTROL TRANSMITTER

|                    |   |
|--------------------|---|
| Power Requirements | DC 3 V (2 x AA Size batteries)              |
| Operating distance | approx. 32 ft (7 m) in front of LCD Display |
| Weight             | approx. 3.5 oz (100 g) including batteries  |

#### ■ INCLUDED ACCESSORIES

|   |              |
|---|--------------|
| - AC cord (4.9 ft [1.5 m]) - Remote Control Transmitter - Batteries |              |
| UPC Code  | 885170184961 |

**MAIN FEATURE**

|                                   |                      |
|-----------------------------------|----------------------|
| Digital Zoom                      | Yes                  |
| Multi Screen                      | Yes                  |
| Power ON Screen Delay             | Yes                  |
| Seam Hides Video Off Mode         | Yes                  |
| 1:1 Pixel mode                    | Yes                  |
| Automatic Picture Position        | Yes                  |
| Screen Saver                      | Yes                  |
| PC Power Management               | Yes                  |
| DVI-D Power Management            | Yes                  |
| HDMI Power Management             | Yes                  |
| ECO Mode                          | Yes                  |
| Input Lock                        | Yes                  |
| Button Lock                       | Yes                  |
| Remote-control User Level         | Yes                  |
| Orientation                       | Portrait / Landscape |
| Input Search                      | Yes                  |
| Early Warning Software compatible | Yes                  |
| Operating Time*                   | 16h/day              |

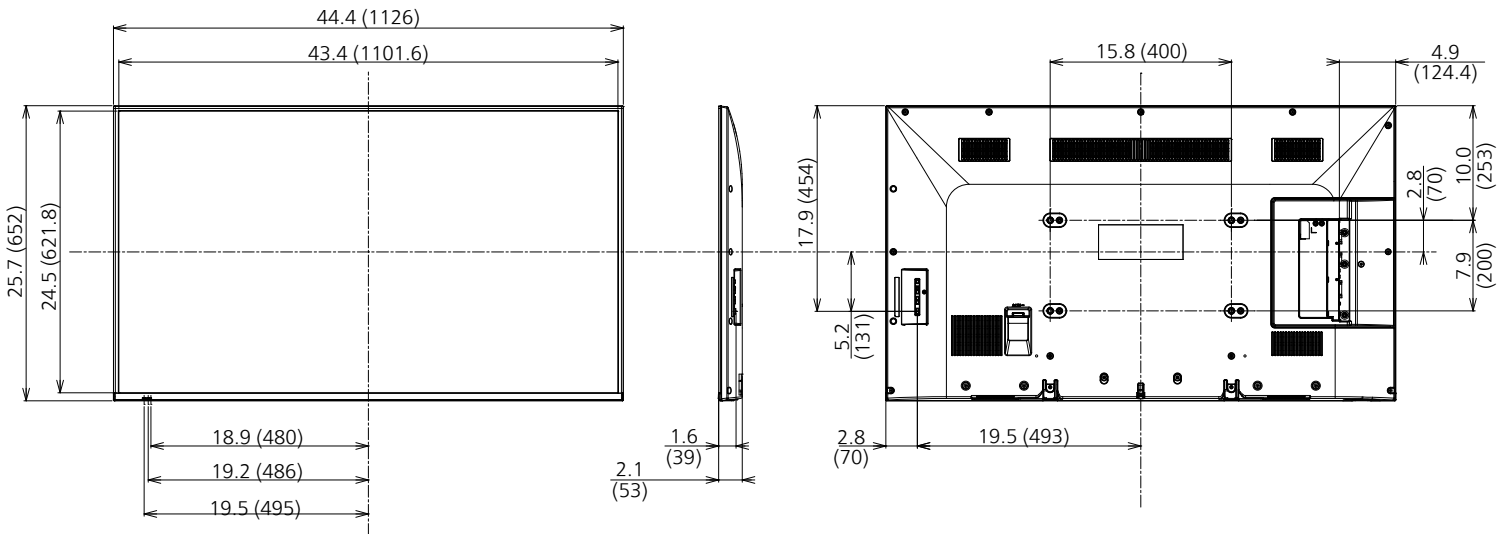
\* In case of running for a long time, the moving image is recommended to be displayed. If you display a still picture for an extended period, the image retention might remain on the screen. However, image retention can gradually disappear by displaying movie images.

**OPTIONAL ACCESSORIES**

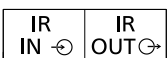
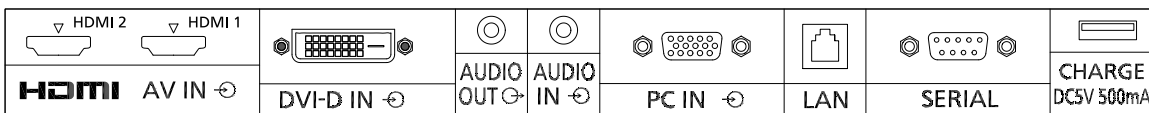
|                        |            |
|------------------------|------------|
| Pedestal               | TY-ST42PE7 |
| Early Warning Software | ET-SWA100  |

**DIMENSIONS**

Cautions: This drawing is not a scale  
Units : inch (mm)



**CONNECTION TERMINAL**



\* Specifications and appearance are subject to change without notice.

## APPLICABLE INPUT SIGNALS

### PC signals

\*Mark: Applicable input signal

|    | Signal name               | Horizontal frequency (kHz) | Vertical frequency (Hz) | PC IN (Dot clock (MHz)) | DVI-D IN (Dot clock (MHz)) | HDMI |
|----|---------------------------|----------------------------|-------------------------|-------------------------|----------------------------|------|
| 1  | 640 x 400 @70Hz           | 31.46                      | 70.07                   | * (25.17)               |                            |      |
| 2  | 640 x 480 @60Hz           | 31.47                      | 59.94                   | * (25.18)               | * (25.18)                  | *    |
| 3  | 640 x 480 @72Hz           | 37.86                      | 72.81                   | * (31.5)                |                            |      |
| 4  | 640 x 480 @75Hz           | 37.50                      | 75.00                   | * (31.5)                |                            |      |
| 5  | 640 x 480 @85Hz           | 43.27                      | 85.01                   | * (36.0)                |                            |      |
| 6  | 800 x 600 @56Hz           | 35.16                      | 56.25                   | * (36.0)                |                            |      |
| 7  | 800 x 600 @60Hz           | 37.88                      | 60.32                   | * (40.0)                | * (40.0)                   | *    |
| 8  | 800 x 600 @72Hz           | 48.08                      | 72.19                   | * (50.0)                |                            |      |
| 9  | 800 x 600 @75Hz           | 46.88                      | 75.00                   | * (49.5)                |                            |      |
| 10 | 800 x 600 @85Hz           | 53.67                      | 85.06                   | * (56.25)               |                            |      |
| 11 | 852 x 480 @60Hz           | 31.47                      | 59.94                   |                         | * (34.24)                  | *    |
| 12 | 1024 x 768 @50Hz          | 39.55                      | 50.00                   |                         | * (51.89)                  | *    |
| 13 | 1024 x 768 @60Hz          | 48.36                      | 60.00                   | * (65.0)                | * (65.0)                   | *    |
| 14 | 1024 x 768 @70Hz          | 56.48                      | 70.07                   | * (75.0)                |                            |      |
| 15 | 1024 x 768 @75Hz          | 60.02                      | 75.03                   | * (78.75)               |                            |      |
| 16 | 1024 x 768 @85Hz          | 68.68                      | 85.00                   | * (94.5)                |                            |      |
| 17 | 1066 x 600 @60Hz          | 37.64                      | 59.94                   |                         | * (53.0)                   | *    |
| 18 | 1152 x 864 @60Hz          | 53.70                      | 60.00                   |                         | * (81.62)                  | *    |
| 19 | 1152 x 864 @75Hz          | 67.50                      | 75.00                   | * (108.0)               |                            |      |
| 20 | 1280 x 768 @60Hz          | 47.70                      | 60.00                   | * (80.14)               |                            |      |
| 21 | 1280 x 960 @60Hz          | 60.00                      | 60.00                   | * (108.0)               |                            |      |
| 22 | 1280 x 960 @85Hz          | 85.94                      | 85.00                   | * (148.5)               |                            |      |
| 23 | 1280 x 1024 @60Hz         | 63.98                      | 60.02                   | * (108.0)               | * (108.0)                  | *    |
| 24 | 1280 x 1024 @75Hz         | 79.98                      | 75.02                   | * (135.0)               |                            |      |
| 25 | 1280 x 1024 @85Hz         | 91.15                      | 85.02                   | * (157.5) *1            |                            |      |
| 26 | 1366 x 768 @50Hz          | 39.55                      | 50.00                   |                         | * (69.92)                  | *    |
| 27 | 1366 x 768 @60Hz          | 48.36                      | 60.00                   | * (86.71)               | * (87.44)                  | *    |
| 28 | 1400 x 1050 @60Hz         | 65.22                      | 60.00                   |                         | * (122.61)                 | *    |
| 29 | 1600 x 1200 @60Hz         | 75.00                      | 60.00                   | * (162.0)               | * (162.0)                  | *    |
| 30 | 1920 x 1080 @60Hz         | 67.50                      | 60.00                   | * (148.5)               | * (148.5)                  | *    |
| 31 | 1920 x 1200 @60Hz         | 74.04                      | 59.95                   |                         | * (154.0)                  | *    |
| 32 | Macintosh13" (640 x 480)  | 35.00                      | 66.67                   | * (30.24)               |                            |      |
| 33 | Macintosh16" (832 x 624)  | 49.72                      | 74.55                   | * (57.28)               |                            |      |
| 34 | Macintosh21" (1152 x 870) | 68.68                      | 75.06                   | * (100.0)               |                            |      |

\*1 Not compatible with SYNC ON G.

- The signal format automatically detected may differ from the actual input signal in display.

### Component signals

\*Mark: Applicable input signal

|    | Signal name        | Horizontal frequency (kHz) | Vertical frequency (Hz) | DVI-D IN (Dot clock (MHz)) | HDMI |
|----|--------------------|----------------------------|-------------------------|----------------------------|------|
| 1  | 525 (480) / 60i    | 15.73                      | 59.94                   | * (27.0)                   | *    |
| 2  | 525 (480) / 60p    | 31.47                      | 59.94                   | * (27.0)                   | *    |
| 3  | 625 (575) / 50i    | 15.63                      | 50.00                   |                            |      |
| 4  | 625 (576) / 50i    | 15.63                      | 50.00                   | * (27.0)                   | *    |
| 5  | 625 (575) / 50p    | 31.25                      | 50.00                   |                            | *    |
| 6  | 625 (576) / 50p    | 31.25                      | 50.00                   | * (27.0)                   | *    |
| 7  | 750 (720) / 60p    | 45.00                      | 60.00                   | * (74.25)                  | *    |
| 8  | 750 (720) / 50p    | 37.50                      | 50.00                   | * (74.25)                  | *    |
| 9  | 1125 (1080) / 60p  | 67.50                      | 60.00                   | * (148.5)                  | *    |
| 10 | 1125 (1080) / 60i  | 33.75                      | 60.00                   | * (74.25)                  | *    |
| 11 | 1125 (1080) / 50p  | 56.25                      | 50.00                   | * (148.5)                  | *    |
| 12 | 1125 (1080) / 50i  | 28.13                      | 50.00                   | * (74.25)                  | *    |
| 13 | 1125 (1080) / 24sF | 27.00                      | 48.00                   |                            |      |
| 14 | 1125 (1080) / 30p  | 33.75                      | 30.00                   | * (74.25)                  | *    |
| 15 | 1125 (1080) / 25p  | 28.13                      | 25.00                   | * (74.25)                  | *    |
| 16 | 1125 (1080) / 24p  | 27.00                      | 24.00                   | * (74.25)                  | *    |